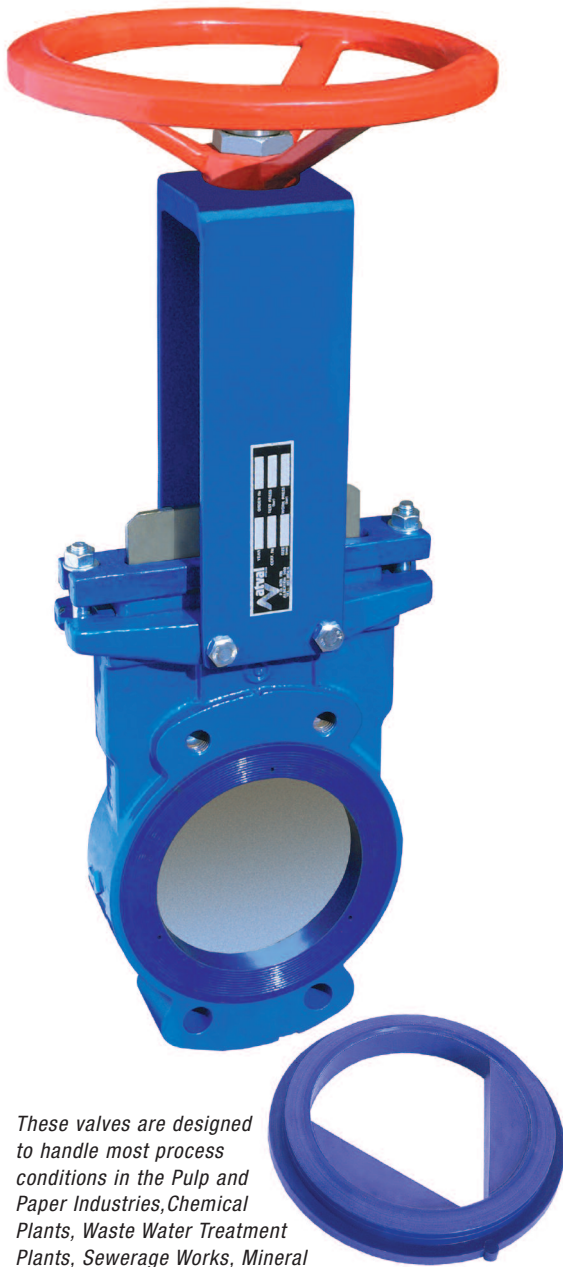




Bi-Directional Knife Gate Valve

Figure
245



These valves are designed to handle most process conditions in the Pulp and Paper Industries, Chemical Plants, Waste Water Treatment Plants, Sewerage Works, Mineral Processing, Mining and Food Processing Industries.

High Performance Heavy Duty Wafer Knife Gate Valves incorporating Field Replaceable Seats

- High Quality at highly competitive prices .
- Field replaceable seats extends in-line service and lowers maintenance costs .
- Dual Seats for full bore flow and positive Bi-Directional shut off.
- 'V' Port Seats available for metering service.
- Line pressure assists positive shut off.
- Specially profiled knife gate assures non-clogging shut off on suspended solids and prevents blade deflection.
- Solid one piece cast body for robustness and long service life.
- Sizes 50mm through 600mm.
- Working pressure 1000kPa through out the size range.
- Only the best non-corrosive materials are used in the operating mechanism for reliable hand wheel operation.

Body

- Ductile Iron
- Lined (Specify)

Gate

- 304 Stainless Steel
- 316 Stainless Steel

Seat

- Polyurethane

Superstructure

- Mild Steel

For other materials and sizes please consult our factory.

Critical Dimensions and Weights :

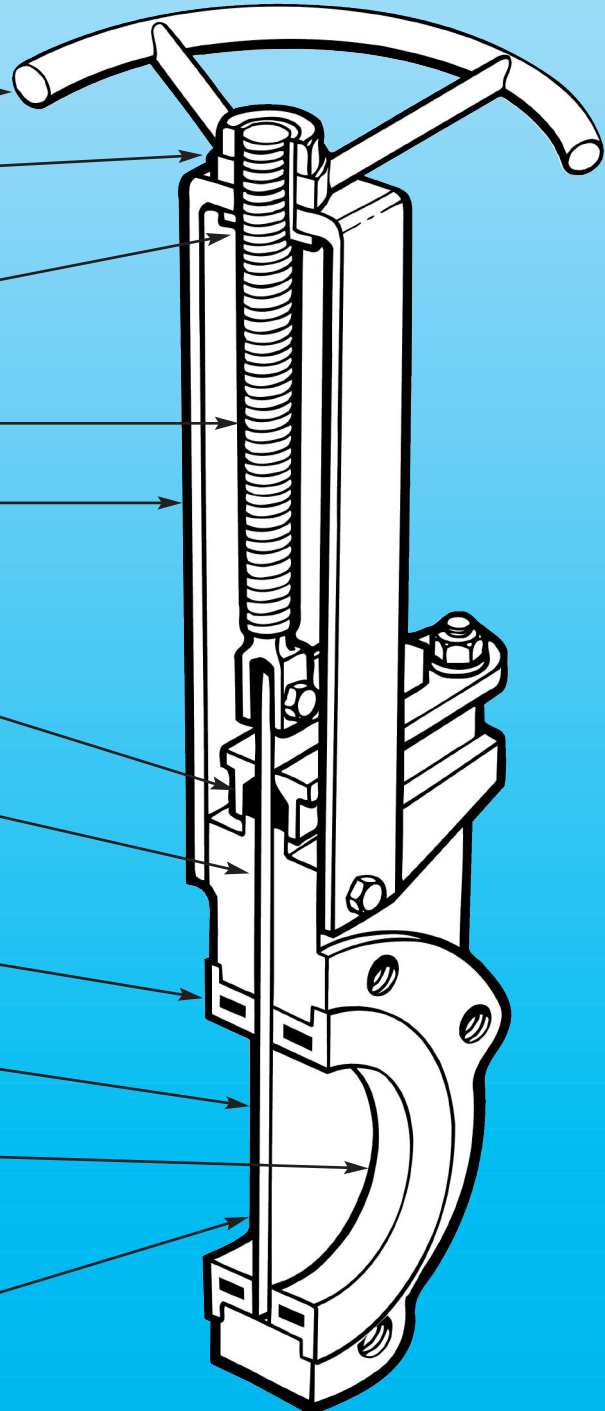
VALVE SIZE	50	80	100	150	200	250	300	350	400	450	500	600
Face to Face	40	50	50	60	60	70	70	80	90	100	110	130
Centre to Top Open	345	450	510	690	890	1050	1180	1340	1540	1720	1860	2200
Hand wheel	150	200	200	300	300	400	400	500	500	500	500	500
Weights (kg)	10	12	14	26	40	63	85	130	180	250	300	340

Specifications subject to change without notice.



Bi-Directional Knife Gate Valve WITH REPLACEABLE SEATS

- Larger Ductile Iron hand wheels reduce rim pull
- Grease fitting for stem nut assembly (not shown)
- Single lead thread for easier hand wheel operation reduces rim pull
- Stainless steel thrust washer prevents seizure of steel hub and bronze stem nut
- Stainless steel spindle for wear and corrosion resistance
- One piece fabricated yoke accepts even the heaviest actuator
- Multiple rows of packing eliminates leakage around gate
- Minimum clearance between gate and chest prevents clogging
- Field replaceable seats
- Precision polished knife gate
- Notched gate eliminates build up of material in chest area
- Bevelled gate with knife sharp edge for shearing action



22, Makriel Road Wadeville
PO Box 739,
Alberton 1450.
Tel : (011) 827-3554/5
Fax : (011) 827-0879
Tel Int : (2711) 827-3554/5
E-mail: atval@mweb.co.za
Website: www.atval.co.za

MANUFACTURERS OF :

- PINCH VALVES
- KNIFE GATE VALVES
- NON RETURN VALVES
- EXPANSION JOINTS
- RUBBER LINING
- PINCH VALVE SLEEVES
- SHORT HOSE
- HOSE BENDS
- GENERAL RUBBER PRODUCTS
- VALVE REPAIR SERVICES

Distributors of : All types of Industrial Valves - Valve Actuators - High Pressure Hose - Rubber Sheet.