



'C' Series Pinch Valves



- Fast and simple servicing
- Full bore, full flow conditions
- Sleeves specially manufactured for product
- Will not clog
- Full closure around relatively large partical sizes
- Reduced pipe line vibration and water hammer
- Inexpensive automatic control
- Changing the pressure or the closing medium can open, throttle or close the valve as required
- Applications enhanced using pressure or volume boosters
- Pressure drop across the valve should not exceed 25%
- For full closure, medium must be at least 2 Bar more than line pressure
- Bodies available in cast iron or aluminium

Size Range : 25mm to 1000mm

Description

Atval's 'C' series pinch valves offer maximum economy and provide unequalled performance coupled with long-life. Like all quality products, the design is simple, yet versatile, enabling system control to be effected at minimum cost.

Sleeve

The easily replaceable moulded reinforced rubber sleeve has been specially developed and manufactured for this application and offers minimal pressure differential to affect fluid control and full valve closure.

The sleeves are self-supporting and are made to standard pipe line internal diameters and offer outstanding longevity even in highly abrasive situations.

Applications

Performing with unchallenged reliability, Atval's 'C' series pinch valves are used extensively for abrasive and slurry applications in many industries, including mining, power generation, sewage treatment, pulp and paper and chemical industries. The valves can handle waste and effluent, raw sewage, sludge, slime, grease, grit, cement, asbestos fibres, mine tailings, pneumatic conveying and many other aggressive applications.

Service Requirements

When ordering Atval pinch valves please refer to the table for the correct sleeve grade to suit the particular application. If in doubt please consult our sales office and provide the following key information:

1. Chemical analysis of product being handled
2. Concentration
3. Maximum operating temperature
4. Maximum working pressure



'C' Series Pinch Valves

The valves can be operated using either gas or liquids as the operating medium.

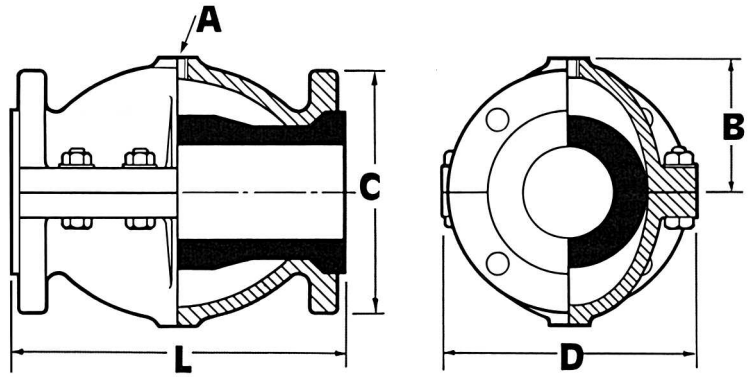
The operating pressure must exceed the line pressure by a minimum of 2 bar to effect closure.

The valves are not drop tight on clear fluids and gasses.

For optimum sleeve life, pipe line bolting flange torques must be strictly observed. As a guide the following bolting torques should not be exceeded.

Bolt/Nut Size (mm)	Socket Spanner Size (mm)	Maximum Torque (Newton-Meter)
M12 (1/2")	19	10
M16 (5/8")	24	25
M20 (3/4")	30	70
M24 (1")	36	125
M30 (1 1/4")	46	250

For more detailed information please refer to the comprehensive operating and maintenance instructions available from our factory



Valve Size (mm)	Max CWP (Bar)	A ₁ (BSP)	Dimensions (mm)				Cast Iron Weight (Kgs)	Volume (Litres)
			B	C	D	L		
25	10	1/4"	60	115	115	134	6	0.1
40	10	1/4"	75	150	150	166	7	0.2
50	10	1/4"	82	165	165	198	10	0.3
80	10	1/4"	103	200	200	262	19	1.2
100	10	1/4"	117	220	220	312	22	2.5
150	10	1/2"	164	285	285	415	43	7.4
200	10	1/2"	202	340	340	530	74	17.0
250	10	1/2"	230	405	405	645	110	32.0
300	10	1/2"	300	460	460	760	140	55.0
350	10	1/2"	325	530	530	990	210	87.0
400	10	1/2"	450	590	600	1200	395	180
450	10	1/2"	450	640	650	1350	475	240
500	10	1/2"	500	700	700	1500	550	290

Sleeve Selection

This condensed classification indicates applications at a glance. For a more comprehensive appraisal please contact our sales department.

Sleeve		Application	Temp. °C	
Grade	Colour		Min.	Max.
A	Red	Slurry & Abrasives	-30	+70
B	Black	Slurry & Abrasives Ozone Resistant	-30	+80
D	Black	Oils, Solutions & Some Chemicals	-20	+110
E	Black	Acids & Chemicals	-30	+130
F	Black	Acids, Gases & Some Chemicals	-30	+120
T	Black	Oils, Abrasives, moderate Chemicals & Acids	-30	+90



22, Makriel Road, Wadeville
 PO Box 739,
 Alberton 1450.
 Tel : (011) 827-3554/5
 Fax : (011) 827-0879
 Tel Int : (2711) 827-3554/5
 E-mail: atval@mweb.co.za
 Website: www.atval.co.za

MANUFACTURERS OF :

- PINCH VALVES
- PINCH VALVE SLEEVES
- KNIFE GATE VALVES
- SHORT HOSE
- NON RETURN VALVES
- HOSE BENDS
- EXPANSION JOINTS
- GENERAL RUBBER PRODUCTS
- RUBBER LINING
- VALVE REPAIR SERVICES

Distributors of : All types of Industrial Valves - Valve Actuators - High Pressure Hose - Rubber Sheet.